

Setting Standards

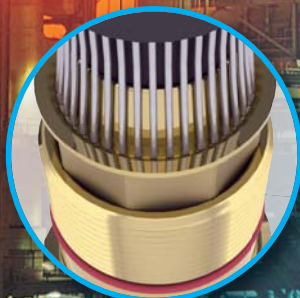
Cable Glands for „Hazardous Areas“



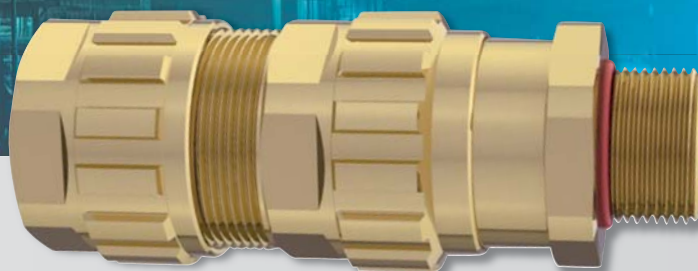
EXIOS

EXIOS

Cable Glands for „Hazardous Areas“



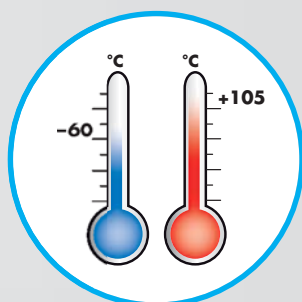
- Dual seal on inner and outer sheath of the cable
- Armour acceptance range from 0 mm – 2,5 mm
- Maximum clamping range
- Innovative „Interlocking Armour Cone“
- Zero torsion on cable cores and armour
- Fast and easy pre-assembly by hand by the use of profile material with maximum grip



ATEX 

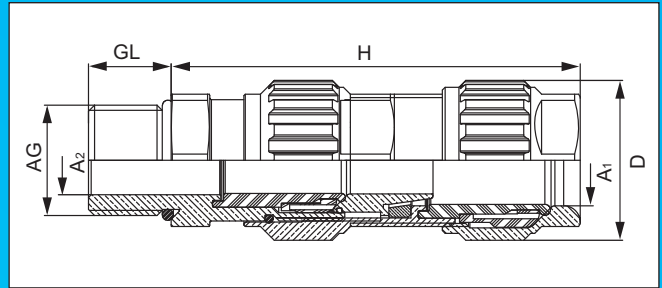


- According to the latest IECEx and ATEX standards
- Ex-d / Ex-e
- Zone 1, Zone 2, Zone 20, Zone 21 und Zone 22
- Gas Groups IIA, IIB and IIC – Apparatus Group III
- Equipment Protection Level GbDa



- IP 68 5 bar, EN 60529
- Temperature Range -60 °C – +105 °C
- Halogen- and phosphorous-free
- Silicone Seals and O-Rings as standard

Mechanical Data	Materials and Technical Data
Material	brass, Nickel plated brass
Seals / O-Rings	silicone, VMQ
Clamping insert	PA 6 Fire protection class V-0 UL94
Armour	Metallic Armour or Screen
Temperature Range	-60° C – 105° C (-76 °F – 221 °F)
Protection	IP 68 5 bar



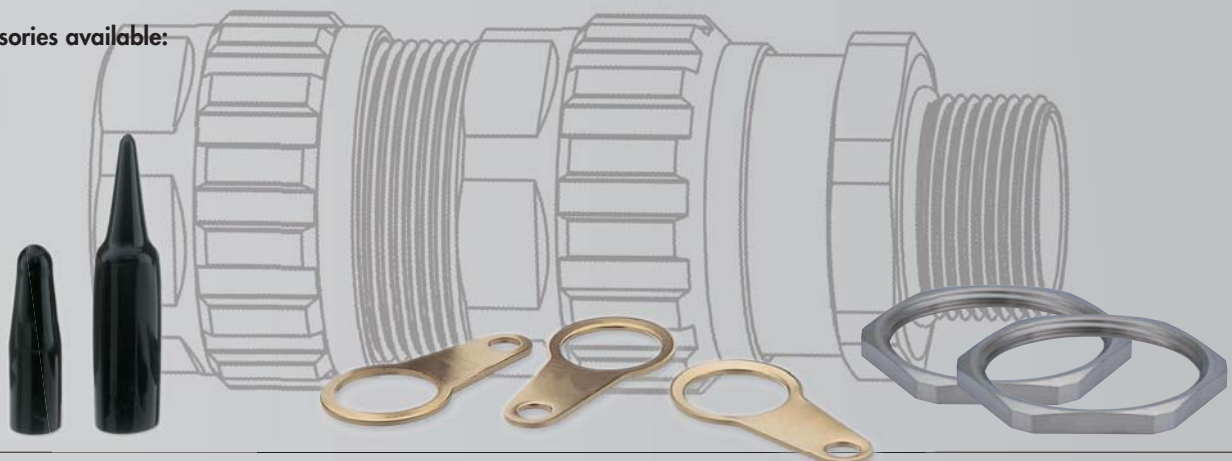
Metric brass (all specifications in mm)

Number	Gland Size	AG	φ mm	D	H max.	GL	∅ A ₁	∅ A ₂	Armour ∅k mm		
									Clamping ring 1	Clamping ring 2	Ring 3 optional
1.605.1600.50	20-1	M 16x1,5	22	27	69,5	15	6-12	3-8,1	0-0,7	0,7-1,25	
1.605.2000.50		M 20x1,5									
1.605.2000.51	20-2	M 20x1,5	24	29	74,3	15	9-16	6-12	0-0,7	0,7-1,25	-
1.605.2000.52	20-3	M 20x1,5	30	35	80,5	15	12,5-20,5	9-14	0-0,7	0,7-1,4	-
1.605.2500.50	25	M 25x1,5	36	42	91	15	16,9-26	12,5-20,5	0-0,7	0,9-1,6	0,7-1,4
1.605.3200.50	32	M 32x1,5	46	52	96	15	22-33	16,9-26	0-0,7	1,3-2,0	0,7-1,4
1.605.4000.50	40	M 40x1,5	55	64	107	15	28-41	22-33	0-0,7	1,3-2,0	0,7-1,4
1.605.5000.50	50	M 50x1,5	65	73	131,5	15	36-52,6	28,9-44,4	0-1,0	1,5-2,5	1,0-2,0
1.605.6300.50	63	M 63x1,5	80	90	144,5	15	46-65,3	39,9-56,3	0-1,0	1,5-2,5	1,0-2,0
1.605.7500.50	75	M 75x1,5	95	107	154	15	57-78	50,5-68,2	0-1,0	1,5-2,5	1,0-2,0

NPT brass (all specifications in mm)

Number	Gland Size	AG	φ mm	D	H max.	GL	∅ A ₁	∅ A ₂	Armour ∅k mm		
									Clamping ring 1	Clamping ring 2	Ring 3 optional
1.605.3800.70	20-1	3/8"	22	27	69,5	15	6-12	3-8,1	0-0,7	0,7-1,25	-
1.605.1200.70	20-2	1/2"	24	29	74,3	13	9-16	6-12	0-0,7	0,7-1,25	-
1.605.1200.71	20-3	1/2"	30	35	80,5	13	12,5-20,5	9-14	0-0,7	0,7-1,4	-
1.605.3400.70	25	3/4"	36	42	91	13	16,9-26	12,5-20,5	0-0,7	0,9-1,6	0,7-1,4
1.605.1000.70	32	1"	46	52	96	19	22-33	16,9-26	0-0,7	1,3-2,0	0,7-1,4
1.605.5400.70	40	1 1/4"	55	64	107	19	28-41	22-33	0-0,7	1,3-2,0	0,7-1,4
1.605.6400.70		1 1/2"									
1.605.2000.70	50	2"	65	73	131,5	19	36-52,6	28,9-44,4	0-1,0	1,5-2,5	1,0-2,0
1.605.5200.70	63	2 1/2"	80	90	144,5	29	46-65,3	39,9-56,3	0-1,0	1,5-2,5	1,0-2,0
1.605.3000.70	75	3"	95	107	154	29	57-78	50,5-68,2	0-1,0	1,5-2,5	1,0-2,0

As accessories available:



HUMMEL Worldwide

HUMMEL Brazil

HUMMEL Connector Systems Ltda.
Av. Derville Gabriel Pereira, 280
Barro Preto Centro Empresarial Tatuf I
CEP 18280-623 - Tatuf / SP / Brazil

Tel. +55 (15) 33 22-7000
Fax +55 (15) 33 22-7026
E-Mail vendas@hummel.com.br

www.hummel.com

HUMMEL China

HUMMEL Connector Systems (Shanghai) Co., Ltd.
Central Plaza 1111
Huang Pi Bei Road 227
200003 Shanghai / P.R. China

Tel. +86 / 21 63 75 85-51
Fax +86 / 21 63 75 85-53
E-Mail info.hcs.cn@hummel.com

www.hummel.com

HUMMEL France

HUMMEL s.a.r.l.
4, rue des fleurs
68190 Ungersheim / France

Tel. +33 (0) 3 89 / 55 37 20
Fax +33 (0) 3 89 / 53 80 27
E-Mail info.fr@hummel.com

www.hummel.com

HUMMEL Great Britain

HUMMEL UK Limited
Stedman House
95 Church Street, Leigh, Lancashire, WN71 AZ
United Kingdom

Tel. +44 (0) 19 42 / 60 56 95
Fax +44 (0) 19 42 / 26 93 24
E-Mail s.kelly@hummel.com

www.hummel.com

HUMMEL India North

HUMMEL Connector Systems Pvt. Ltd.
162-A / 9 Kishan Garh, Main Road, Vasant Kunj
New Dehli - 110070 / India

Tel. +91 11 26 89 4005
Fax +91 11 26 89 4006
E-Mail info.in@hummel.com

www.hummel.com

HUMMEL India South

HUMMEL Connector Systems Ltda.
641036 Coimbatore
A-33 Mayflower Shakti Garden,
NANJUNDAPURAM ROAD,
RAMANATHAPURAM.Tel.

Tel. +91 42 24 22 01 09
Fax +91 42 24 22 01 29
E-Mail info.in@hummel.com

www.hummel.com

HUMMEL Italy

HUMMEL s.r.l.
Via Valdellatorre 182
10091 Alpignano (Torino) / Italy

Tel. +39 / 0 11 / 9 68 26 38
Fax +39 / 0 11 / 9 78 55 50
E-Mail info.hcs.it@hummel.com

www.hummel.com

HUMMEL Russia

OOO HUMMEL
105082, Moskau
ul. B. Potschtovaja, d.34, str.8, of.213

Tel. +7 / 495 / 7 37 -44 97
Fax +7 / 495 / 7 37 -44 98
E-Mail info@hummel-russia.ru

www.hummel.com

HUMMEL Scandinavia

HUMMEL Connector Systems AB
Första Magasinsgatan 5
80310 Gävle / Sweden

Tel. +46 (73) 8 00 12 00
Fax +46 (26 14) 38 73
E-Mail t.larsson@hummel.com

www.hummel.com

HUMMEL AG

Divison ET
Lise-Meitner-Straße 2
79211 Denzlingen
Germany

Tel. +49 (0) 76 66 / 9 11 10-0
Fax +49 (0) 76 66 / 9 11 10-20
E-Mail info.et@hummel.com

HUMMEL AG

Lise-Meitner-Straße 2
79211 Denzlingen
Germany
www.hummel.com

