

## Connectors M 23 RJ 45



Housings

page 56



Accessories

page 59


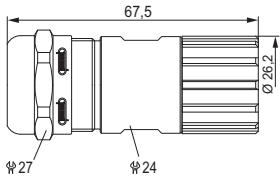



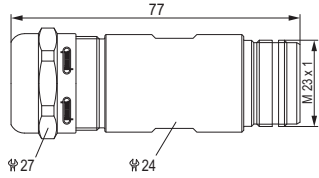
## M 23 RJ45 Control Signal Connectors


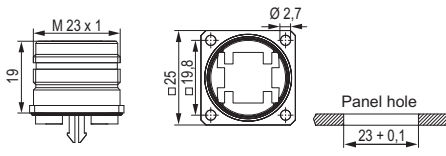
Technical Data	Materials and Technical Data
Housing	Brass Alloy, Die Cast
Housing Surface	Nickel Plated
Inserts (for contacts)	PBT UL-94 V0, PA 6
Contacts	Brass Alloy
Contact Surface at point of contact	Depends on RJ 45 type used
Seals / O-Rings	NBR / FKM (Viton)
Temperature Range	Depends on RJ 45 type used
Degree of Protection	IP 67 / IP 69K per EN 60529 (mated)
Cable diameter range	3 - 7 / 7 - 12 / 11 - 17mm
Number of Positions	4 / 6 / 8 poles, optional 4 + 2 / 6 + 2 / 8 + 2
Nominal Current <sup>1)</sup> [A]	Depends on RJ 45 type used
Nominal Voltage <sup>2)</sup> [V~]	Depends on RJ 45 type used
Test Voltage [V~]	Depends on RJ 45 type used
Insulation Resistance [MΩ]	Depends on RJ 45 type used
Max. Crossover Resistance [mΩ]	Depends on RJ 45 type used
Max. Data Rate	Depends on RJ 45 type used


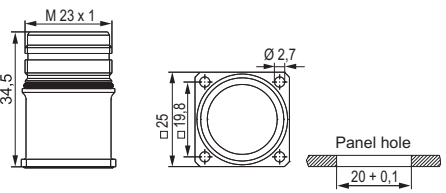
<sup>1), 2)</sup> See Technical Information page 14

## Connectors M 23RJ45 / Housing

Straight Connector Female Thread		Cable-Ø	Part Number
		3 – 7 mm (.12 - .28") .....	7.R10.400.000
		Connector with insert for patch cable	
		Suitable patch cable can be recommended	
Assembly instructions page 61			

Straight Connector Male Thread		Cable-Ø	Part Number
		3 – 7 mm (.12 - .28") .....	7.R20.408.000
		Incl. 8 poles coupler, fully occupied	
Assembly instructions page 62			

Panel Connector Front Mount, dip solder insert		Type	Part Number
		4 holes 2.7 mm, Flange .....	7.R40.008.000
		Incl. 8 poles dip solder insert	
		4 holes 2.7 mm, Flange .....	7.R40.082.000
		Incl. 8 + 2 poles dip solder insert	

Panel Connector, Front Mount		Type	Part Number
		<b>with vibration protection</b>	
		4 holes 2.7 mm, Flange .....	7.R41.008.000
		Incl. 8 poles coupler, fully occupied	

## Connectors M 23 RJ 45 / Housing


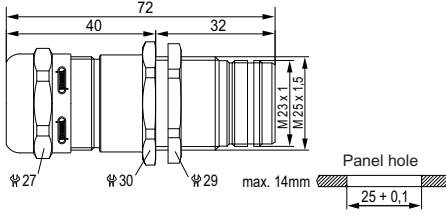
Type	Part Number	Single Hole Panel Connector
<b>Front Mount</b> M20 x 1,5 thread .....7.R42.008.000 Incl. 8 poles coupler, fully occupied  <b>Optional:</b> Gasket M20 x 1,5, Locking Nut		


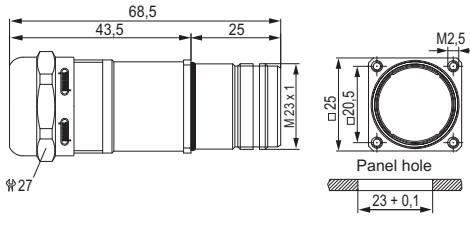
Type	Part Number	Single Hole Panel Connector
<b>Rear Mount</b> M25 x 1,5 thread .....7.R50.008.000 Incl. 8 poles coupler, fully occupied  M25 x 1,5 Locking Nut included		

Type	Part Number	Right Angle Panel Connector, Male Thread
300° rotating, locking screw at flange 4 holes 2.7 mm, Flange .....7.R43.008.000 Incl. 8 poles coupler, fully occupied  <b>Optional:</b> Gasket  Simple installation with M2.5 screws		

Type	Part Number	Panel Connector Rear Mount, dip solder insert
<b>with vibration protection</b> 4x M3 thread, Flange .....7.R45.008.000 Incl. 8 poles dip solder insert  4x M3 thread, Flange .....7.R45.082.000 Incl. 8 + 2 poles dip solder insert		

## Connectors M 23RJ45 / Housing

Single Hole Panel Connector with strain relief		Type	Part Number
		<b>Single Hole, RearMount , M25 x 1,5 thread</b> 3 – 7 mm (.12 - .28") .....7.R52.408.000 Incl. 8 poles coupler, fully occupied  M25 x 1,5 Locking Nut included	

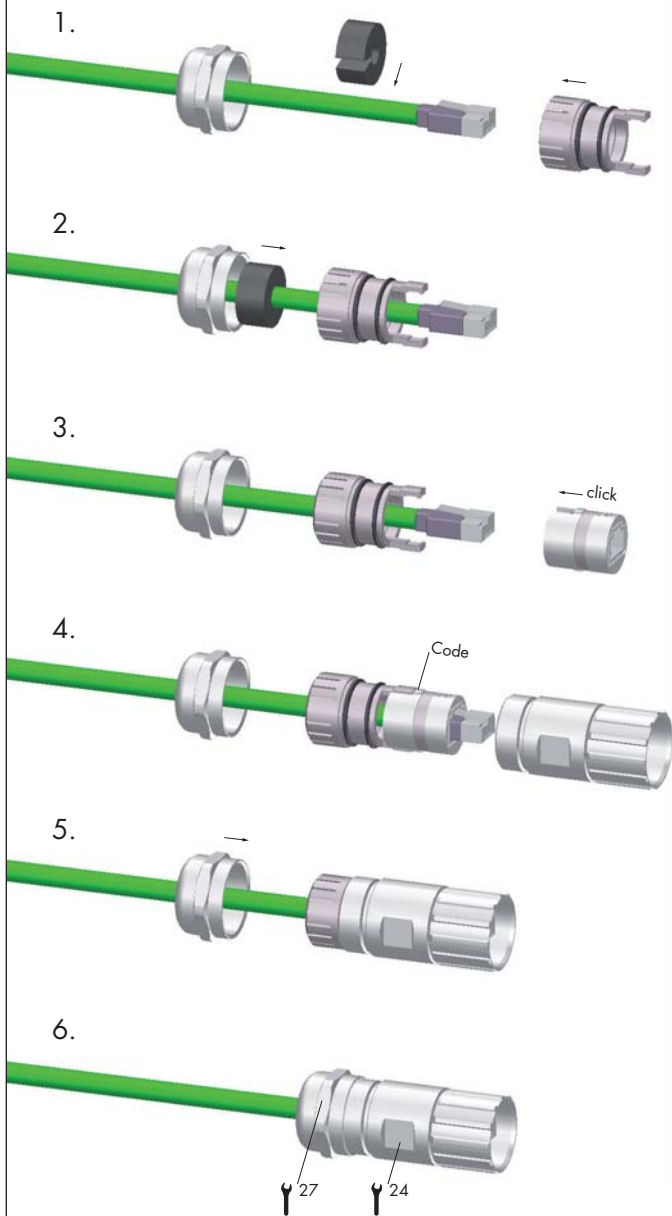
Panel Connector with strain relief		Type	Part Number
		<b>4x M2,5 thread, Flange, Rear Mount</b> 3 – 7 mm (.12 - .28") .....7.R47.408.000 Incl. 8 poles coupler, fully occupied	

Type	Part Number	Accessories
Plastic protective cap for connectors with male thread .....7.000.900.101 for connectors with female thread .....7.000.900.102		
Brass protective cap for connectors with female thread .....7.010.900.183		
Brass protective cap for connectors with male thread .....7.010.900.102		
Brass protective cap with chain for connectors with female thread .....Length 70 mm .....7.010.9S0.783 .....Length 100 mm .....7.010.9S1.083		
Brass protective cap with chain for connectors with male thread .....Length 70 mm .....7.010.9S0.702 .....Length 100 mm .....7.010.9S1.002		
Adapter flange for straight connectors .....7.010.900.128		

## Connectors M 23 RJ 45 / Accessories

Accessories	Type	Part Number
	Adapter for Conduit Fittings	Snapflex 16..... 7.010.900.204 DN 12 ..... 7.010.900.205 Snapflex 20..... 7.010.900.206 DN 14 ..... 7.010.900.207 Snapflex 25..... 7.010.900.208 DN 17 ..... 7.010.900.209
	Suitable patch cable .....on request	
	Field attachable RJ45 Connector and Plugs .....on request	

## Straight Connector, Female Thread



## Male Threaded Connector

