

Moulded Cordsets M 23



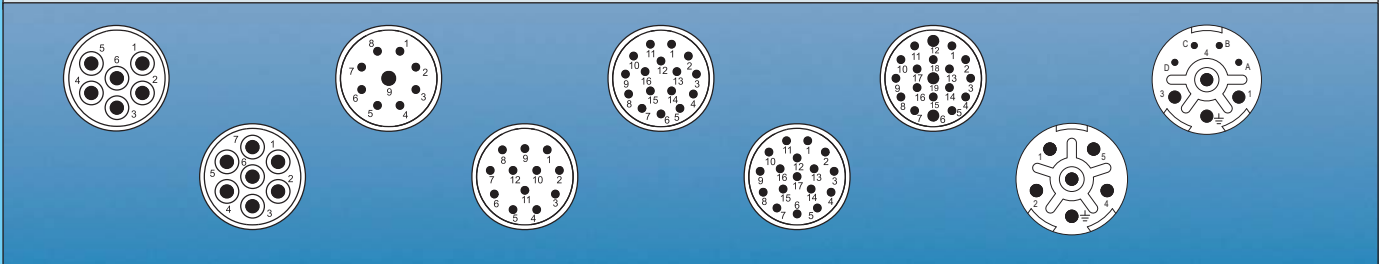
Housings

page 170



Inserts

page 74 and page 114 respectively



Accessories

page 82 and page 116 respectively



Moulded Connector Cordsets

Mechanical Data	Materials and Technical Data
Housing	Copper-Zinc alloy Die Casting
Moulded strain relief	Polyurethan PUR
Housing surface	Nickel plated brass, black strain relief
Inserts (for contacts)	Thermoplastic Polyamid PA 6 (Nylon 6/6), PBT Fire protection class V-0
Contacts	Brass Alloy
Contact surface at point of contact	Nickel and gold plated (0,25 µm Au)
Minimum mating cycles	> 1000
Seals / O-Rings	Buna-N standard optional Viton® (Viton is a registered trademark of DuPont)
Temperature range	-40° C – 125° C (-40 °F – 257 °F)
Type of contacts	Crimp
Protection	IP 67 / IP 69 K per EN 60 529 (connected), NEMA 4x
Cable diameter range	5 – 15 mm (.20" – .60")
Cable style	Cable specifications available upon request
Labelling	HUMMEL logo as standard, other options available upon request

Additional Information

Electrical data see standard program

Signal Connectors M23 page 65
Power Connectors M23 page 107

Inserts and contacts see standard program

Signal Connectors M23 page 74
Power Connectors M23 page 114




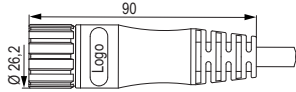
We do not recommend disconnecting or connecting HUMMEL Connectors under load.


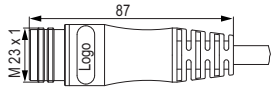
Other versions


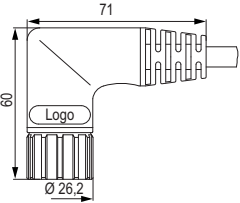



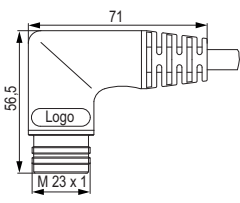
Moulded connector cordsets are also available as Push-Pull- or Stainless-Steel (Inox)-Versions.

Moulded Connector Cordsets M23

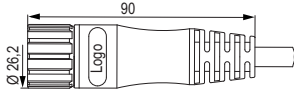

Straight Connector, Female Thread		Type	Inserts
		Standard / EMC	Pins or sockets

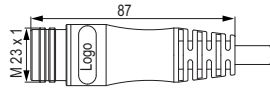

Straight Connector, Male Thread		Type	Inserts
		Standard / EMC	Pins or sockets

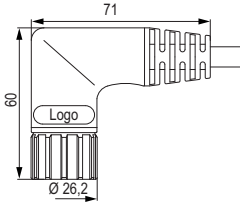

Right Angle Connector, Female Thread		Type	Inserts
		Standard / EMC	Pins or sockets

Right Angle Connector, Male Thread		Type	Inserts
		Standard / EMC	Pins or sockets

Moulded Connector Cordsets M 23

Type	Inserts	Straight Connector, Female Thread	
Standard / EMC	Pins or sockets		

Type	Inserts	Straight Connector, Male Thread	
Standard / EMC	Pins or sockets		

Type	Inserts	Right Angle Connector, Female Thread	
Standard / EMC	Pins or sockets		

Type	Inserts	Right Angle Connector, Male Thread	
Standard / EMC	Pins or sockets	