

Push-Pull Technology



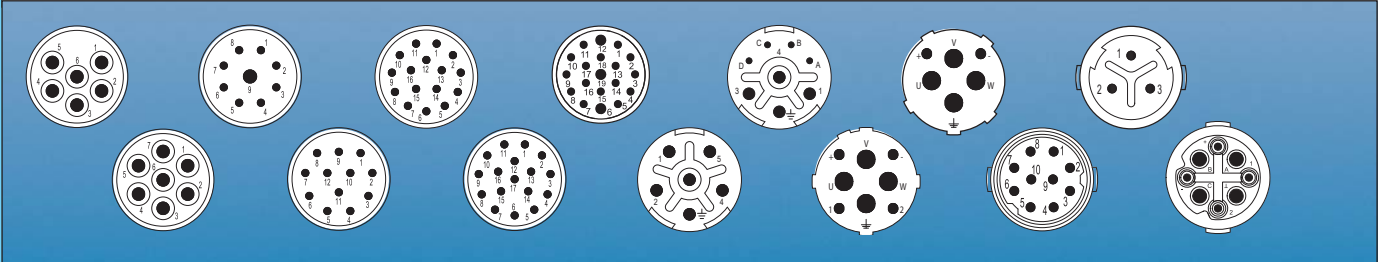
Housings

page 152



Inserts

page 22, 74, 114, 132



Accessories

page 28, 59, 82, 116, 138



Push-Pull Connectors

Mechanical Data	Materials and Technical Data
Housing	Copper-Zinc alloy Die Casting Aluminium alloy
Housing surface	Nickel plated, other surface upon request
Inserts (for contacts)	Thermoplastic Polyamid PA 6 (Nylon 6/6), PBT Fire protection class V-0
Contacts	Brass Alloy
Contact surface at point of contact	Nickel and gold plated (0,25 µm Au)
Minimum mating cycles	> 250
Seals / O-Rings	Buna-N standard optional Viton® (Viton is a registered trademark of DuPont)
Temperature range	-40° C – 125° C (-40 °F – 257 °F)
Type of contacts M 16	Crimp, dip-solder (PCB)
Type of contacts signal M 23	Crimp, solder, dip-solder (PCB)
Type of contacts power M 23, M 40	Crimp
Protection	IP 67 / IP 69K per EN 60 529 (connected), NEMA 4x

Additional Information

Electrical data see standard program

Connectors M 16	page 17
Signal Connectors M 23	page 65
Power Connectors M 23	page 107
Power Connectors Size 1,5	page 131

Inserts and contacts see standard program

Connectors M 16	page 22
Signal Connectors M 23	page 74
Power Connectors M 23	page 114
Power Connectors Size 1,5	page 132



We do not recommend disconnecting or connecting HUMMEL Connectors under load.

Characteristics


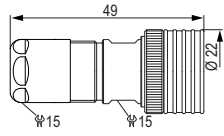
HUMMEL Push-Pull Connectors guarantee:


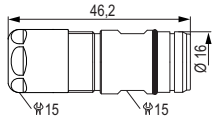
- Quick connecting cycle
- EMC compatible connection due to radially locked metal ring
- High protection rate
- Easy connection / disconnection even under tight space conditions
- Best reliability with optional safety ring


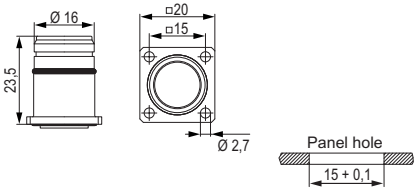



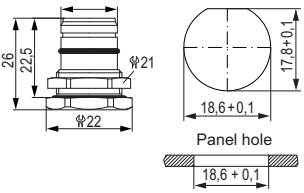
Standard delivery of M 40 (size 1.5) Power Connector include Contact Insert

M 16 Signal Connectors / Push-Pull

Straight Connector, Female Thread		Cable-Ø	Part Number
		2 – 7 mm (.08 – .28").....7.813.300.000	
		4 – 9 mm (.16 – .35").....7.813.400.000	
		Optional: Safety ring	
		Contacts and inserts page 22 • Assembly instructions page 34	

Straight Connector, Male Thread		Cable-Ø	Part Number
		2 – 7 mm (.08 – .28").....7.823.300.000	
		4 – 9 mm (.16 – .35").....7.823.400.000	
		Contacts and inserts page 22 • Assembly instructions page 34	

Panel Connector, Male Thread		Cable-Ø	Part Number
		4 holes Ø 2,7 mm (.11").....7.840.300.000	
		Contacts and inserts page 22 • Assembly instructions page 38	

Panel Connector, Male Thread		Cable-Ø	Part Number
		Rear mounting, single hole mounted Including jam nut.....7.850.300.000	
		Contacts and inserts page 22 • Assembly instructions page 38	

Signal Connectors M 23/ Push-Pull


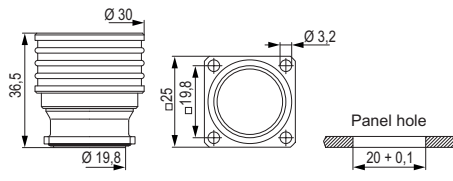
Cable-Ø	Part Number	Straight Connector, Female Thread	
3 – 7 mm (.12 – .28")	7.156.400.000		
7 – 12 mm (.24 – .47")	7.156.500.000		
11 – 17 mm (.43 – .67")	7.156.600.000		
Optional: Safety ring			
Contacts and inserts page 74 • Assembly instructions page 87			


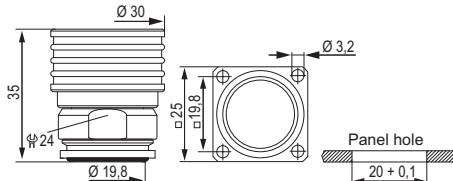
Cable-Ø	Part Number	Right Angle Connector, Female Thread	
3 – 7 mm (.12 – .28")	7.304.300.000		
5 – 10 mm (.20 – .39")	7.304.400.000		
7 – 12 mm (.24 – .47")	7.304.500.000		
10 – 14 mm (.39 – .55")	7.304.600.000		
Optional: Safety ring			
Contacts and inserts page 74 • Assembly instructions page 88			


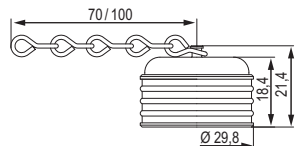
Cable-Ø	Part Number	Right Angle Connector, Female Thread, EMC	
3 – 7 mm (.12 – .28")	7.305.300.000		
5 – 10 mm (.20 – .39")	7.305.400.000		
7 – 12 mm (.24 – .47")	7.305.500.000		
10 – 14 mm (.39 – .55")	7.305.600.000		
Optional: Safety ring			
Contacts and inserts page 74 • Assembly instructions page 88			

Signal Connectors M 23 Push-Pull fit to all housings with male thread of the standard series HUMMEL Signal Connectors M 23

Signal Connectors M 23 / Push-Pull

Panel Connector, Female Thread, with knurled Nut		Type	Part Number
		Without coding option 4 holes \varnothing 3,2 mm (.13")7.440.500.000	
		Optional: Safety ring	
		Contacts and inserts page 74 • Assembly instructions page 90	

Panel Connector, Female Thread, with knurled Nut		Type	Part Number
		With coding option 4 holes \varnothing 3,2 mm (.13")7.448.500.000	
		Optional: Safety ring	
		Contacts and inserts page 74 • Assembly instructions page 90	

Protective Caps, Push-Pull Signal		Type	Part Number
		For signal connectors with male thread7.010.950.102	
		with chain 100 mm7.010.95S.102	

Signal Connectors M 23 Push-Pull fit to all housings with male thread of the standard series HUMMEL Signal Connectors M 23


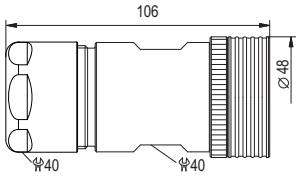
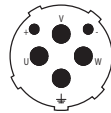
Signal Connectors M 23 / Push-Pull


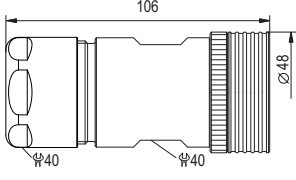
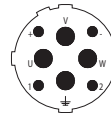
Cable-Ø	Part Number	Straight Connector, Female Thread	
7 – 12 mm (.24 – .47")7.555.500.000		
11 – 17 mm (.43 – .67")7.555.600.000		
Optional: Safety ring			
<small>Contacts and inserts page 114 • Assembly instructions page 122</small>			

Cable-Ø	Part Number	Right Angle Connector, Female Thread	
7 – 12 mm (.24 – .47")7.575.500.000		
10 – 14 mm (.39 – .55")7.575.600.000		
Optional: Safety ring			
<small>Contacts and inserts page 114 • Assembly instructions page 124</small>			

Power Connectors M 23 Push-Pull fit to all housings with male thread of the standard series HUMMEL Power Connectors M 23

Power Connectors Size 1,5 / Push-Pull

Straight Connector, Female Thread		Cable-Ø	Part Number
			2 + 3 + PE, insert for sockets 13 – 18 mm (.52 – .71").....7.715.623.000 17 – 24 mm (.67 – .95").....7.715.723.000 21 – 28 mm (.83 – 1.10")...7.715.823.000
			Optional: Safety ring Contacts page 136 • Assembly instructions page 145

Straight Connector, Female Thread		Cable-Ø	Part Number
			4 + 3 + PE, insert for sockets 13 – 18 mm (.52 – .71").....7.715.643.000 17 – 24 mm (.67 – .95").....7.715.743.000 21 – 28 mm (.83 – 1.10")...7.715.843.000
			Optional: Safety ring Contacts page 136 • Assembly instructions page 145

Power Connectors Size 1,5 / Push-Pull

Cable-Ø	Part Number	Straight Connector, Male Thread	
2+3+PE, insert for pins 13 – 18 mm (.52 – .71").....7.725.623.000 17 – 24 mm (.67 – .95").....7.725.723.000 21 – 28 mm (.83 – 1.10")...7.725.823.000			
Contacts page 136 • Assembly instructions page 145			

Cable-Ø	Part Number	Straight Connector, Male Thread	
4+3+PE, insert for pins 13 – 18 mm (.52 – .71").....7.725.643.000 17 – 24 mm (.67 – .95").....7.725.743.000 21 – 28 mm (.83 – 1.10")...7.725.843.000			
Contacts page 136 • Assembly instructions page 145			

Panel Connector	Type	Part Number
	<p>2 + 3 + PE, insert for pins 4 holes \varnothing 4,5 mm (.18")7.740.523.000</p>	
<p>Contacts page 136 • Assembly instructions page 146</p>		

Panel Connector	Type	Part Number
	<p>4 + 3 + PE, insert for pins 4 holes \varnothing 4,5 mm (.18")7.740.543.000</p>	
<p>Contacts page 136 • Assembly instructions page 146</p>		